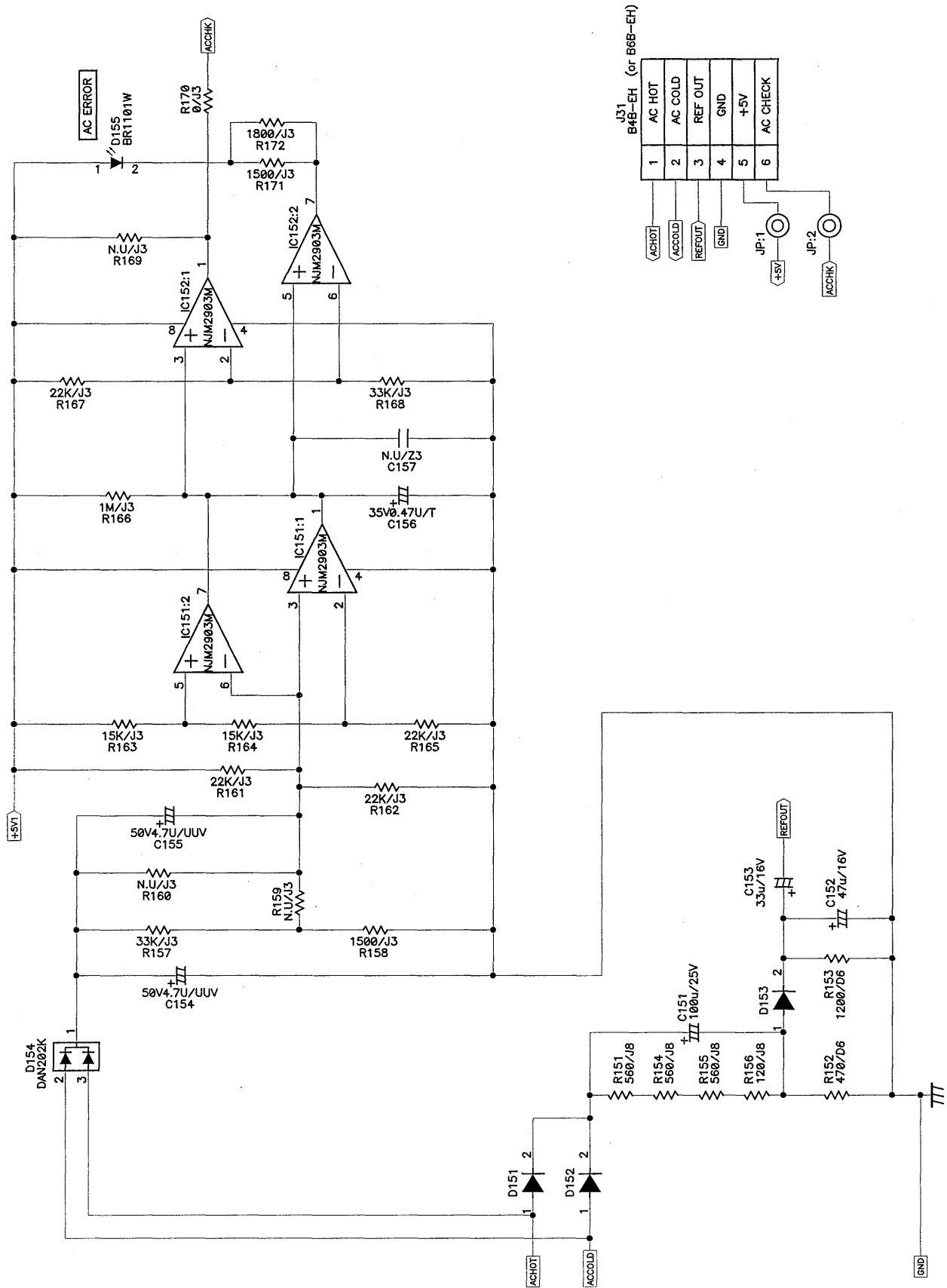


CN4 DF11-22P

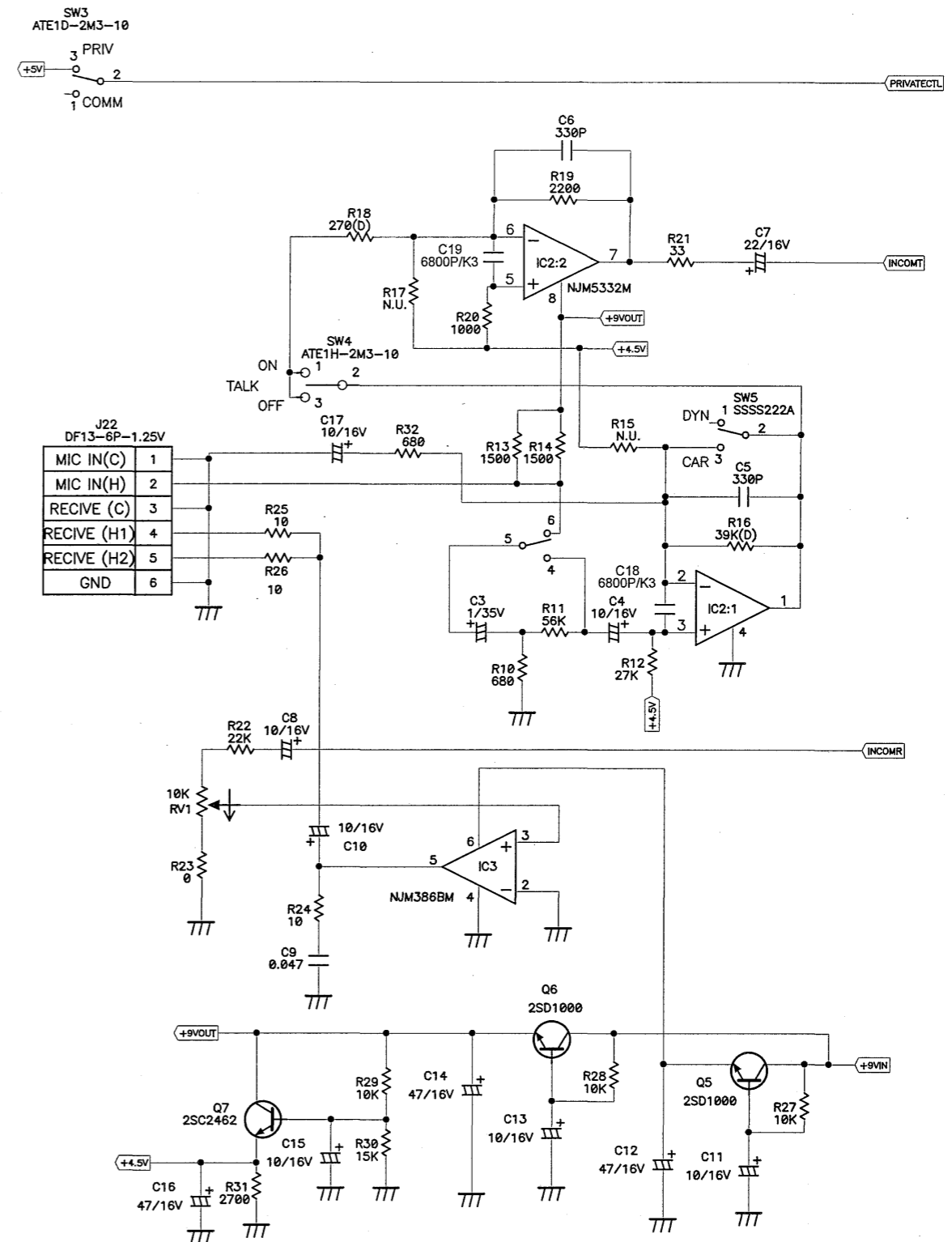
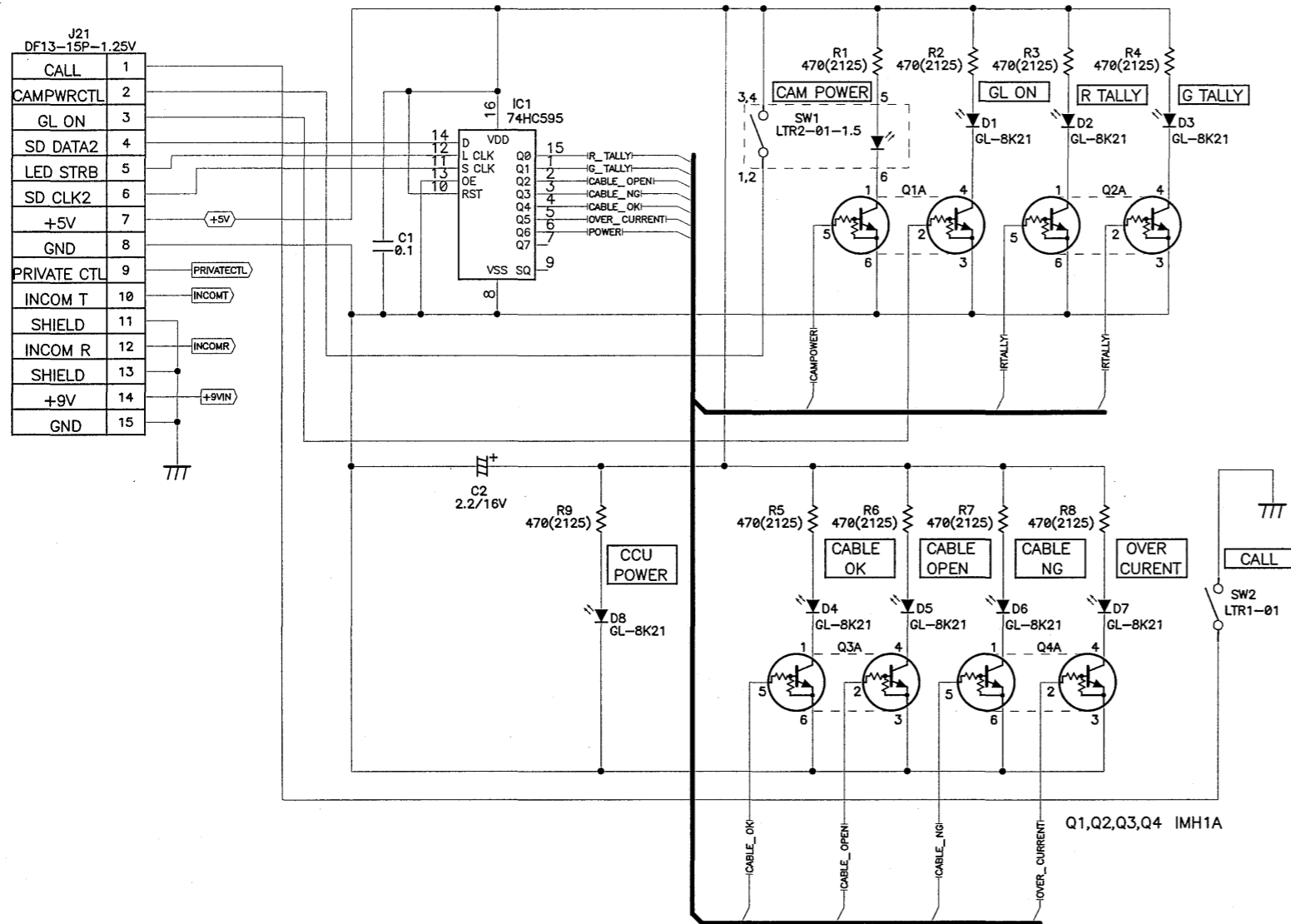
2	GND	GND	1	GND
4	+24VIN	230VOK	3	230VOK
6	DCBAL2	230SENSE1	5	230SENSE1
8	DCBAL1	36VSENSE2	7	36VSENSE2
10	0/24V	36VSENSE1	9	36VSENSE1
12	ERRORCLR	CAMPWR	11	CAMPWR
14	AC/DC ANS	UNREGGNI	13	UNREGGNI
16	UNREGGNI	UNREGGNI	15	UNREGGNI
18	UNREGGNI	UNREGGNI	17	UNREGGNI
20	+12V	+12V	19	+12VOUT
22	+12V	+12V	21	+12VOUT

n.u : NOT USED

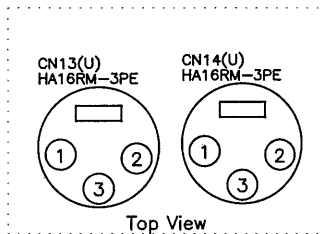
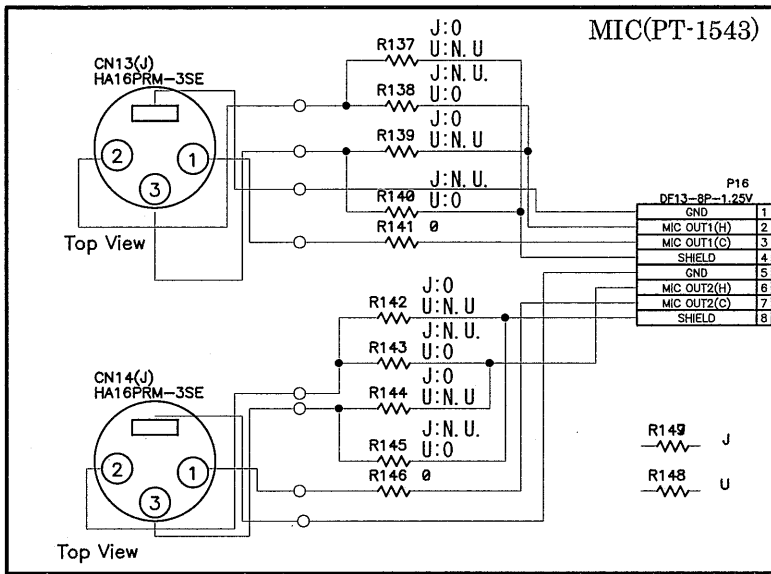
TU-Z3A  
TU-RECT UNIT  
SCHEMATIC DIAGRAM



TU-Z3A  
TU-RECTSUB UNIT  
SCHEMATIC DIAGRAM



TU-Z3A  
INCOM/LED UNIT  
SCHEMATIC DIAGRAM



	J	U
R137	0	N. U.
R138	N. U.	0
R139	0	N. U.
R140	N. U.	0
R142	0	N. U.
R143	N. U.	0
R144	0	N. U.
R145	N. U.	0
R147	0	N. U.
R148	N. U.	0

Not Used

TU-Z3A  
MIC UNIT  
SCHEMATIC DIAGRAM

CN10 CDC3115-0123			
ENG IN(H)	1	R118	0
ENG IN(C)	2	R119	0
ENG OUT(H)	3	R120	0
ENG OUT(C)	4	R121	0
PD IN(H)	5	R122	0
PD IN(C)	6	R123	0
PD OUT(H)	7	R124	0
PD OUT(C)	8	R125	0
PGM 1IN(H)	9	R126	0
PGM 1IN(C)	10	R127	0
	11	R128	0
SHIELD	12		
R TALLYIN	13	R129	0
G TALLYIN	14	R130	0
TALLY COMM	15	R131	0

CN11 CDS3125-0123			
GND	1		
TD	2		
RD	3		
RTS	4		
CTS	5		
	6		
GND	7		
	8		
(STAIR CTL)	9		
(STAIR OUT)	10		
(SHIELD)	11		
	12		
	13		
	14		
	15		
	16		
	17		
	18		
	19		
	20		
	21		
	22		
	23		
	24		
	25		

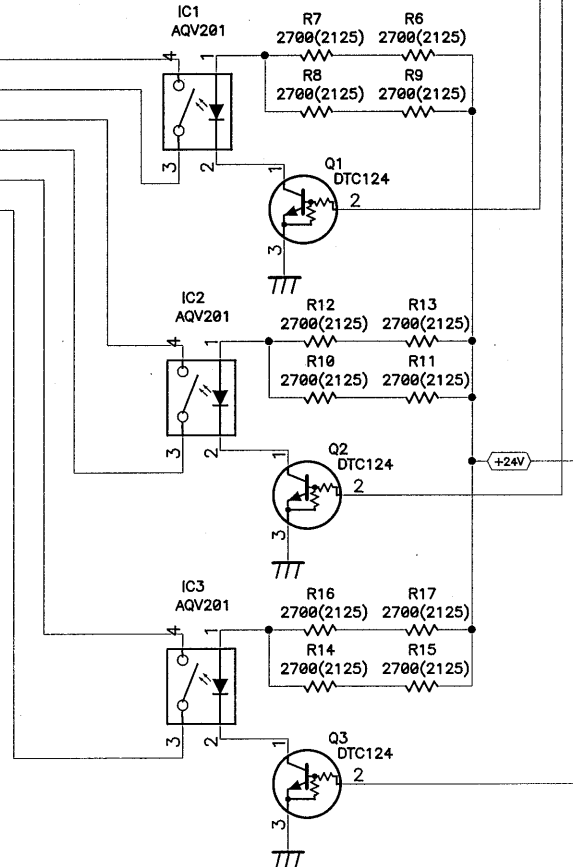
45	GND
44	GND
43	ENG IN(H)
42	ENG IN(C)
41	SHIELD
40	ENG OUT(H)
39	ENG OUT(C)
38	SHIELD
37	PD IN(H)
36	PD IN(C)
35	SHIELD
34	PD OUT(H)
33	PD OUT(C)
32	SHIELD
31	PGM 1IN(H)
30	PGM 1IN(C)
29	SHIELD
28	PGM 2IN(H)
27	PGM 2IN(C)
26	SHIELD
25	R TALLYIN
24	G TALLYIN
23	TALLY COMM
22	R TALLYOUT
21	G TALLYOUT
20	W/N TALLYOUT
19	STAIR OUT
18	SHIELD
17	STAIR CTL
16	
15	SD3(RX)
14	SHIELD
13	SD4(TX)
12	SHIELD
11	RTS
10	SHIELD
9	CTS
8	SHIELD
7	
6	
5	
4	+24V
3	+24V
2	
1	

COMMUNICATION

RS-232C

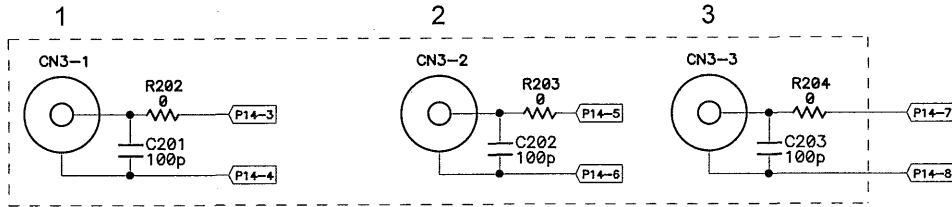
CN12 CDS3109-0123		
R TALLY1	1	
R TALLY2	2	
G TALLY1	3	
G TALLY2	4	
W/N TALLY1	5	
W/N TALLY2	6	
	7	
+24V	8	
GND	9	

TALLY OUT

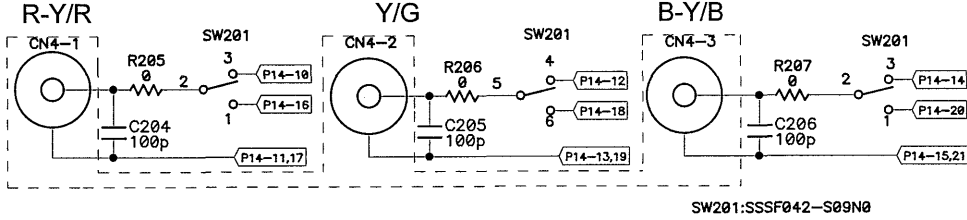


TU-Z3A  
REMOTE UNIT  
SCHEMATIC DIAGRAM

ENC OUT

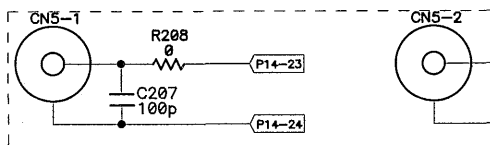


R.G.B/COMPONENT OUT

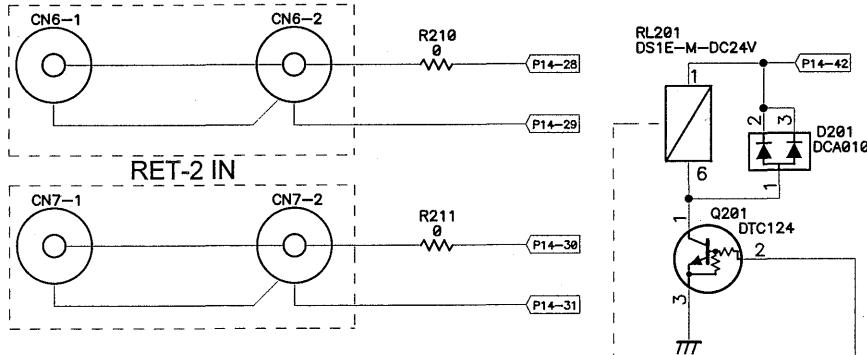


SW201:SSSF042-S09N0

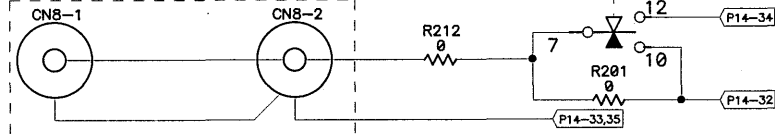
PIX OUT



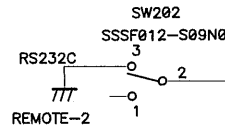
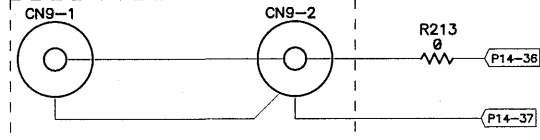
RET-1 IN



PROMPT IN

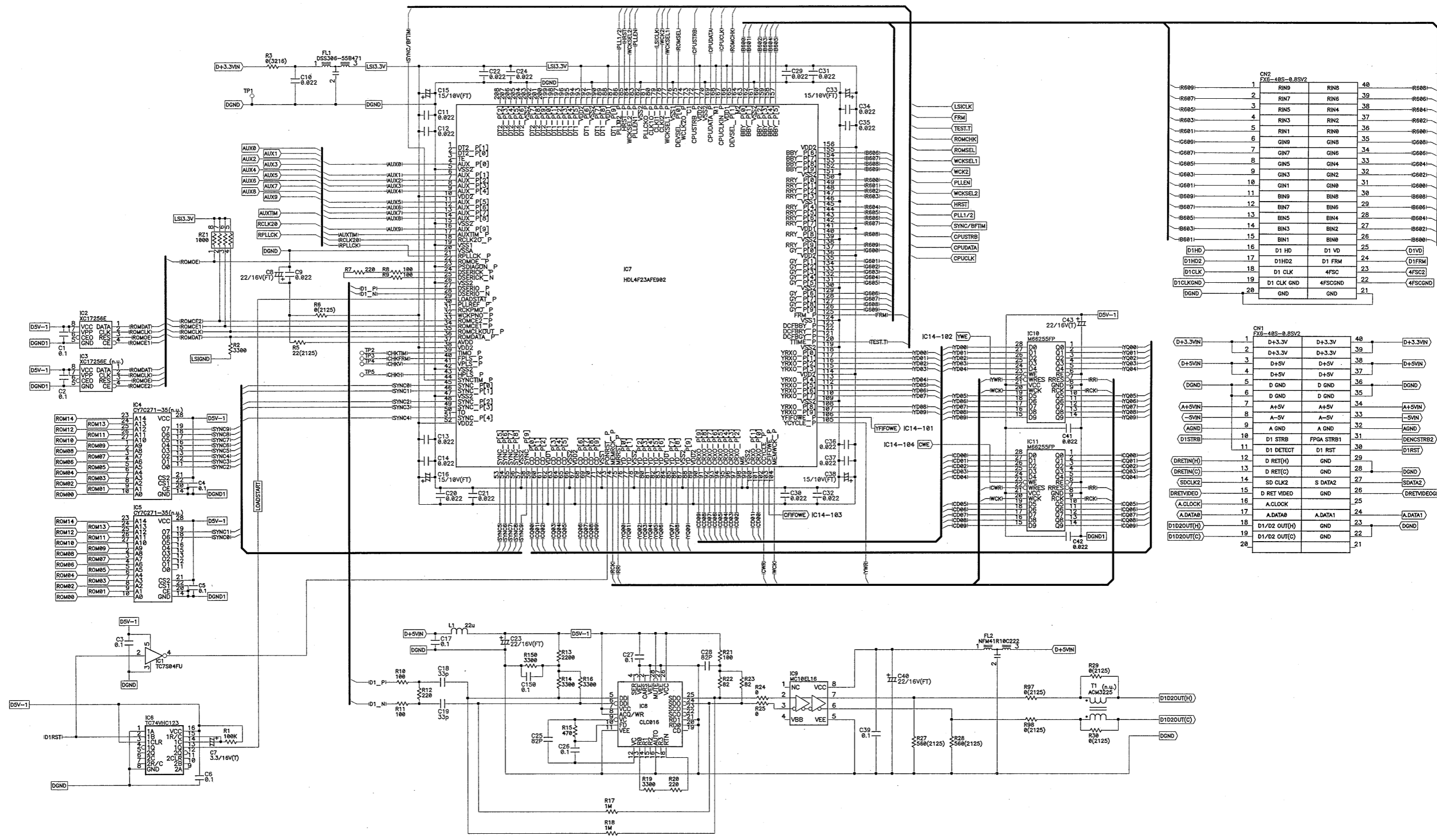


B.BST IN



P14 FH12-45-0.5SH	
1	GND
2	GND
3	ENC OUT1
4	SHIELD
5	ENC OUT2
6	SHIELD
7	ENC OUT3
8	SHIELD
9	GND
10	R-Y OUT
11	SHIELD
12	Y OUT
13	SHIELD
14	B-Y OUT
15	SHIELD
16	R OUT
17	SHIELD
18	G OUT
19	SHIELD
20	B OUT
21	SHIELD
22	GND
23	PIX OUT
24	SHIELD
25	WF OUT
26	SHIELD
27	GND
28	VF RET1 IN
29	SHIELD
30	VF RET2 IN
31	SHIELD
32	PROMPT IN
33	SHIELD
34	TRUNK OUT
35	SHIELD
36	B.BST IN
37	SHIELD
38	TRUNK CTL
39	RS232C SW
40	
41	
42	+24V
43	+24V
44	
45	

TU-Z3A  
TU-BNC UNIT  
SCHEMATIC DIAGRAM



CN2 FX6-48S-0.85V2

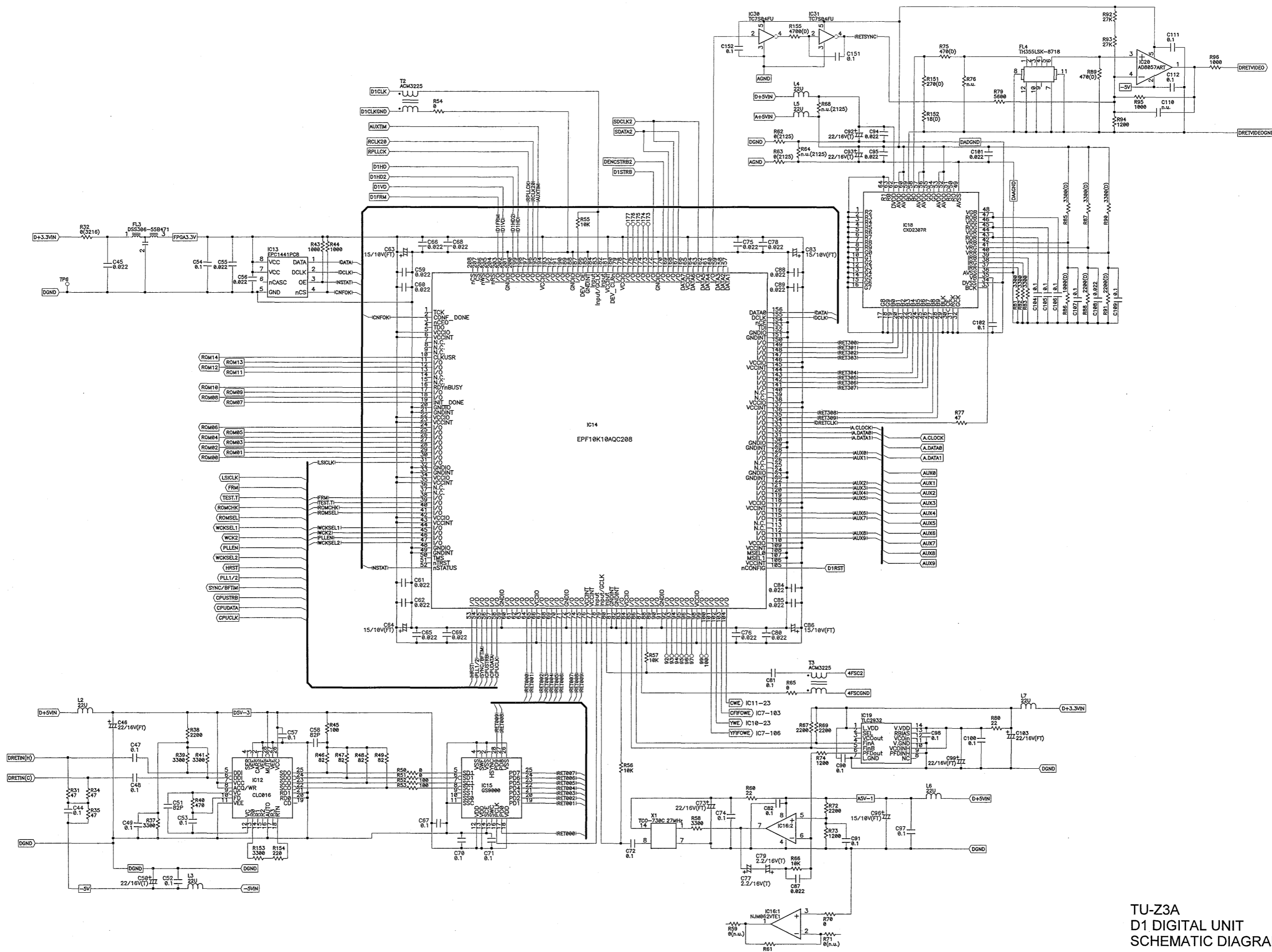
1	RIN9	RIN8	40	R688
2	RIN7	RIN6	39	R686
3	RIN5	RIN4	38	R684
4	RIN3	RIN2	37	R682
5	RIN1	RIN0	36	R680
6	GIN9	GIN8	35	G688
7	GIN7	GIN6	34	G686
8	GIN5	GIN4	33	G684
9	GIN3	GIN2	32	G682
10	GIN1	GIN0	31	G680
11	BIN9	BIN8	30	B688
12	BIN7	BIN6	29	B686
13	BIN5	BIN4	28	B684
14	BIN3	BIN2	27	B682
15	BIN1	BIN0	26	B680
16	D1 HD	D1 VD	25	D1VD
17	D1HD2	D1 FRM	24	D1FRM
18	D1CLK	D1 CLK	23	4FSC2
19	D1CLKGND	D1 CLK GND	22	4FSCGND
20		GND	21	

CN1 FX6-48S-0.85V2

1	D+3.3V	D+3.3V	40	D+3.3V
2	D+3.3V	D+3.3V	39	D+3.3V
3	D+5V	D+5V	38	D+5V
4	D+5V	D+5V	37	D+5V
5	D GND	D GND	36	DGND
6	D GND	D GND	35	DGND
7	A+5V	A+5V	34	A+5V
8	A-SV	A-SV	33	-5V
9	A GND	A GND	32	AGND
10	D1 STRB	FPGA STRB1	31	DENCSTRB2
11	D1 DETECT	D1 RST	30	D1RST
12	D RET(H)	GND	29	
13	D RET(C)	GND	28	DGND
14	SD CLK2	S DATA2	27	SDATA2
15	D RET VIDEO	GND	26	DRETVIDEOGND
16	A.CLOCK	A.CLOCK	25	
17	A.DATAB	A.DATAB	24	A.DATAB
18	D1/D2 OUT(H)	GND	23	DGND
19	D1/D2 OUT(C)	GND	22	
20			21	

TU-Z3A  
D1 DIGITAL UNIT  
SCHEMATIC DIAGRAM(1/2)





TU-Z3A  
D1 DIGITAL UNIT  
SCHEMATIC DIAGRAM(2/2)